



Designed to boost your overall
machining **efficiency** !

MY-TURN T25 / T36

Small Type Precision CNC Lathe

www.mym.com.tw

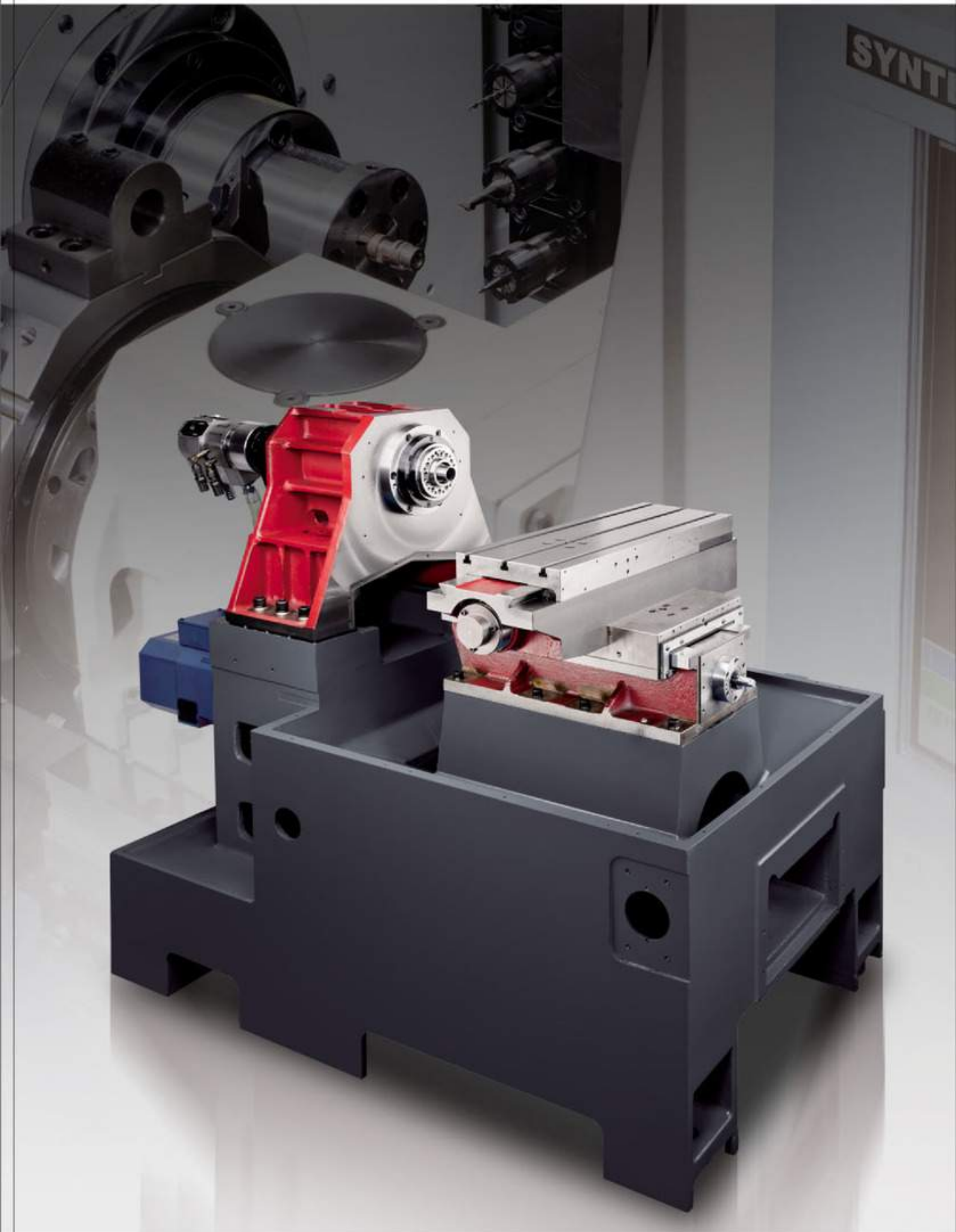
MY-TURN T25/T36

*Small Type Precision CNC Lathe
Designed to boost your overall machining efficiency!*

- 8-position servo turret provides fast positioning and shortened machining time.
- Combined turret and gang-type tooling system.
- Various tooling configurations to meet your specific needs.
- High precision spindle accommodates collet chuck and 3-jaw chuck.
- C-axis function on spindle allows for milling, drilling and tapping.
- High/low pressure coolant pump for fine surface finishes and deep hole drilling.
- Extra large 340 mm travel on X-axis for great machining capabilities.
- Box ways on X, Z-axis are combined with a great span for maximum stability.
- Syntec PC-based, Fanuc or Mitsubishi controllers are available for selection.
- Fully enclosed splash guard.
- Chip conveyor is optional.
- Combining with milling and C axis function, the Y axis is capable of performing end milling, drilling and tapping. Especially suitable for small and complicated parts production.
- By working with live tools, the face milling function can also drill eccentric holes or taps, saving work piece's second set-up time.







Optimal Structural Design

Robust! Rigid! Stable!

- All structural parts are manufactured from high quality Meehanite cast iron—stress relieved to minimize deformation.
- Massive base construction features high rigidity and excellent vibration dampening.
- Box ways on X, Z-axis. Way surfaces are hardened and precision ground.

**Precision Parts Produced
by Ming Yang My-Turn T25/T36**



C-axis Function

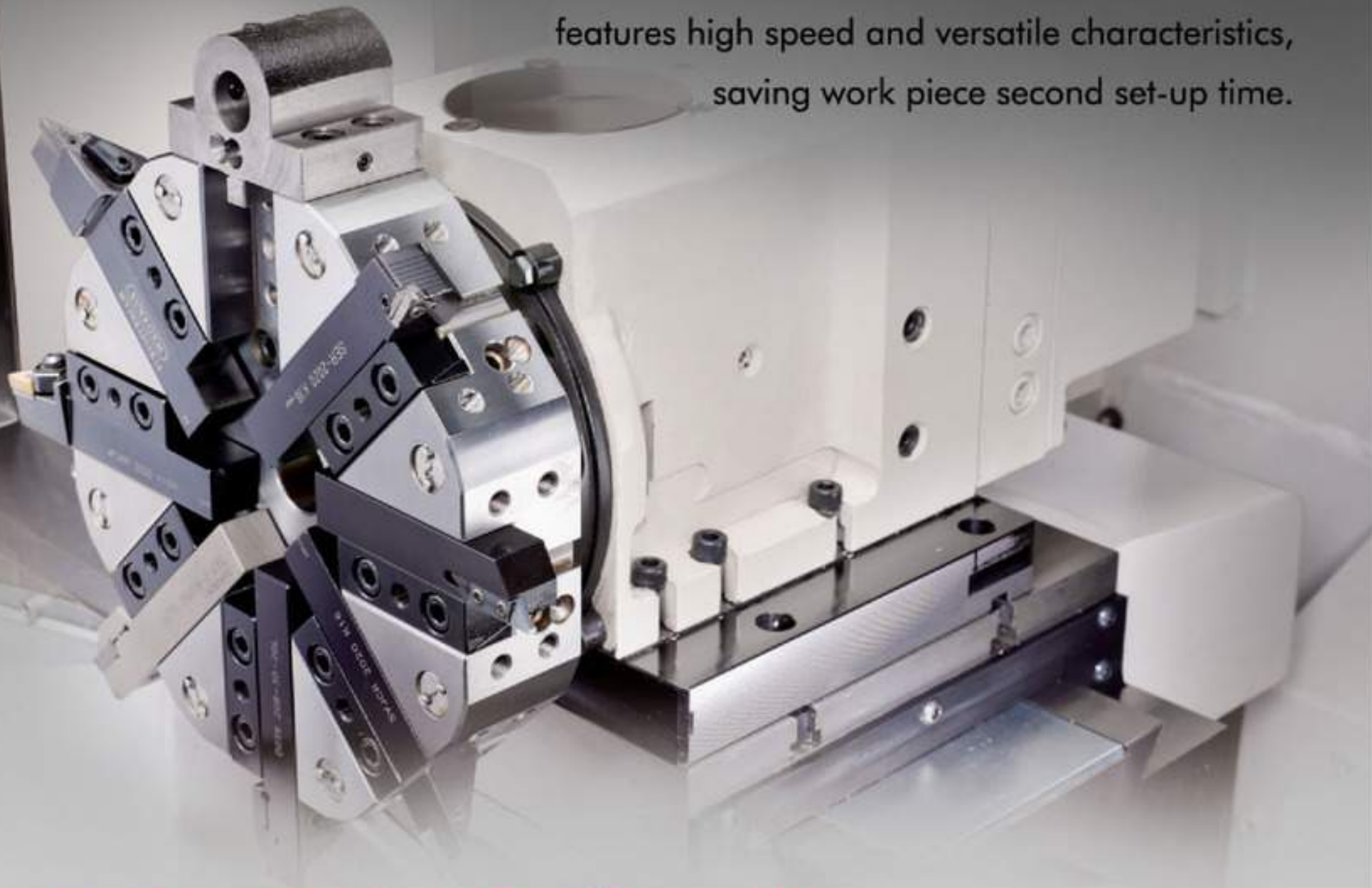
- The C-axis function of the spindle combines Y-axis live tool and end-milling live tool for milling, drilling and tapping operations.
- With the C-axis function, complete part machining becomes faster and easier.

Y-Axis Function

The Y-axis features side milling, drilling and tapping operations when combining with C-axis function. It is applicable of machining small complicated parts.

TOOLING SYSTEM

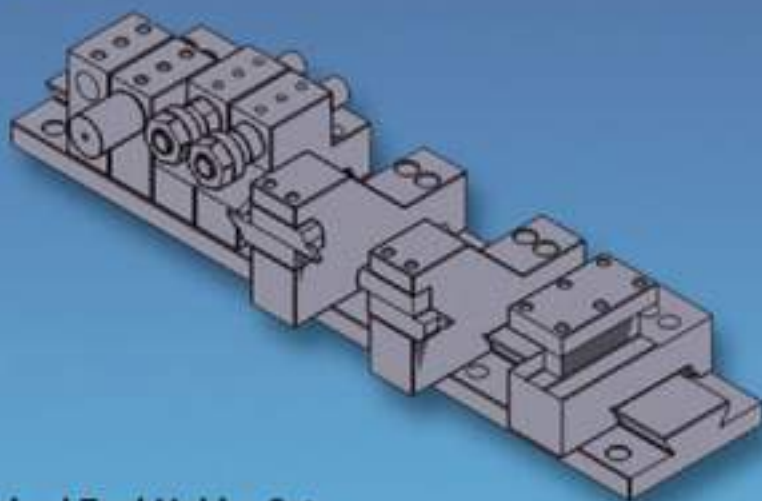
Ming Yang's MY-TURN T25/T36 CNC Lathe Series features high speed and versatile characteristics, saving work piece second set-up time.



Various Tooling Configurations

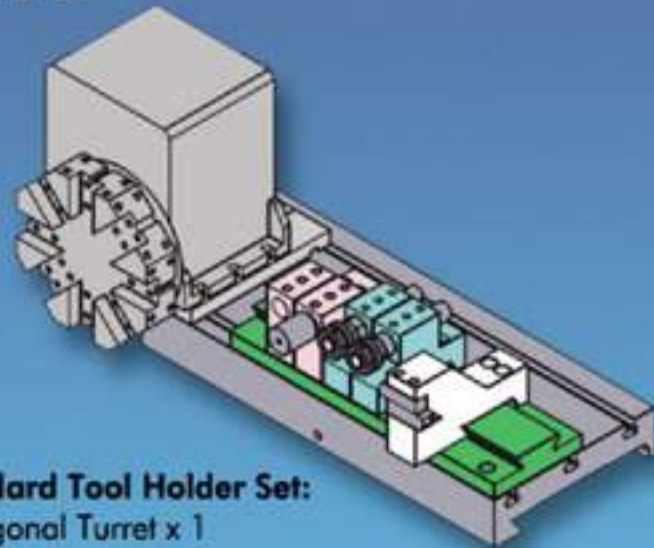
Choose from Ming Yang's various tooling configurations that meet your specific production needs.

TYPE A



Standard Tool Holder Set:
O.D. Tool Holders x 3
I.D. Tool Holders (Single hole) x 2
I.D. Tool Holders (Twin hole) x 1

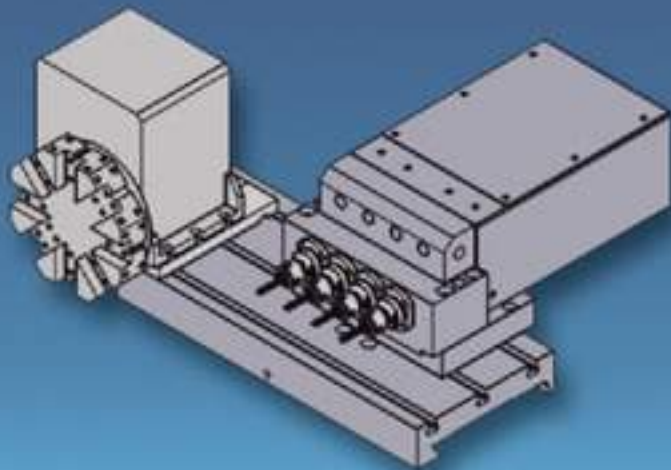
TYPE B



Standard Tool Holder Set:
Octagonal Turret x 1
O.D. Tool Holder x 1
I.D. Tool Holders (Single hole) x 2
I.D. Tool Holder (Twin hole) x 1



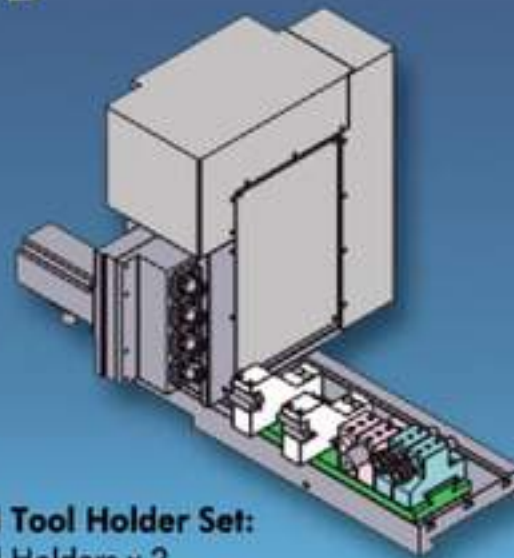
TYPE C



Standard Tool Holder Set:
Octagonal Turret x 1

Live Tooling Tool Holder Set:
End Milling Live Tools x 4

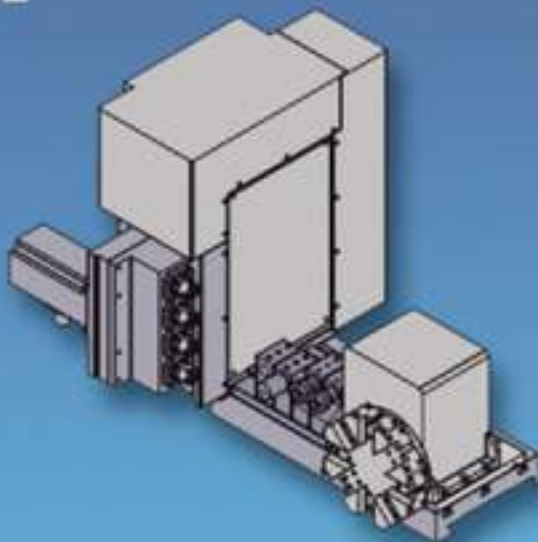
TYPE D



Standard Tool Holder Set:
O.D. Tool Holders x 2
I.D. Tool Holders (Single hole) x 2
I.D. Tool Holder (Twin hole) x 1

Live Tooling Tool Holder Set:
Y-Axis Live Tools x 4

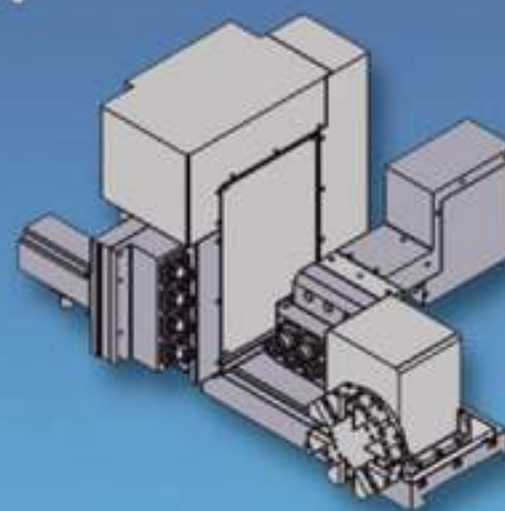
TYPE E



Standard Tool Holder Set:
Octagonal Turret x 1
I.D. Tool Holders (Single hole) x 2

Live Tooling Tool Holder Set:
Y-Axis Live Tools x 4

TYPE F



Standard Tool Holder Set:
Octagonal Turret x 1

Live Tooling Tool Holder Set:
Y-Axis Live Tools x 4
End Milling Live Tools x 3



Various Types of CNC Controllers for Selection



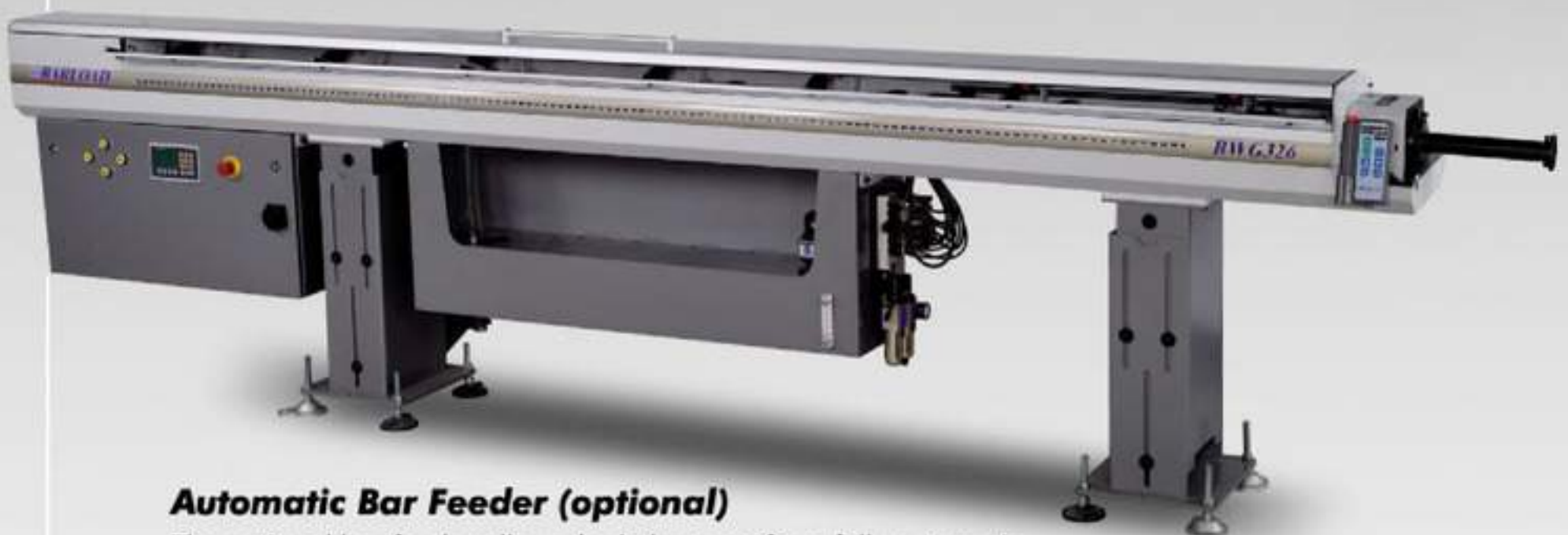
▲ Fanuc



▲ Mitsubishi



▲ Syntec



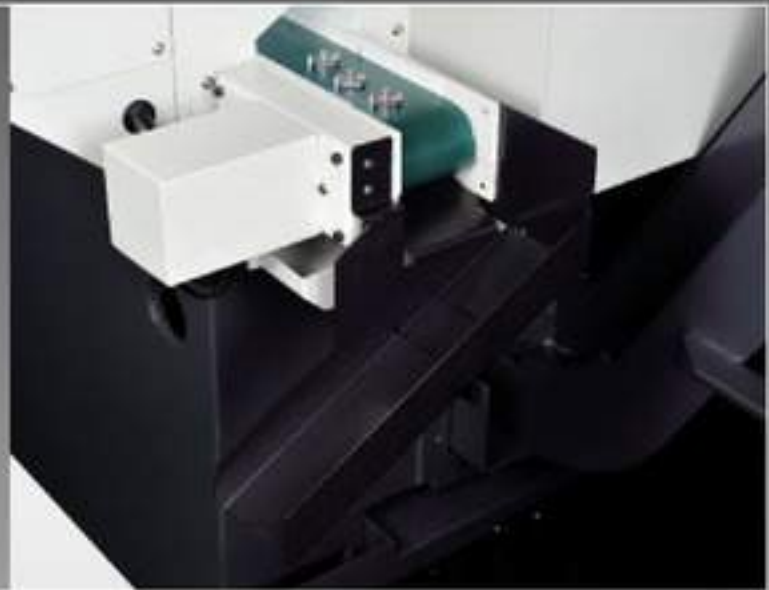
Automatic Bar Feeder (optional)

The optional bar feeder allows the lathe to perform fully automatic operations. This results in a reduction of labor costs, while dramatically upgrading production efficiency.

MY-TURN T25/T36

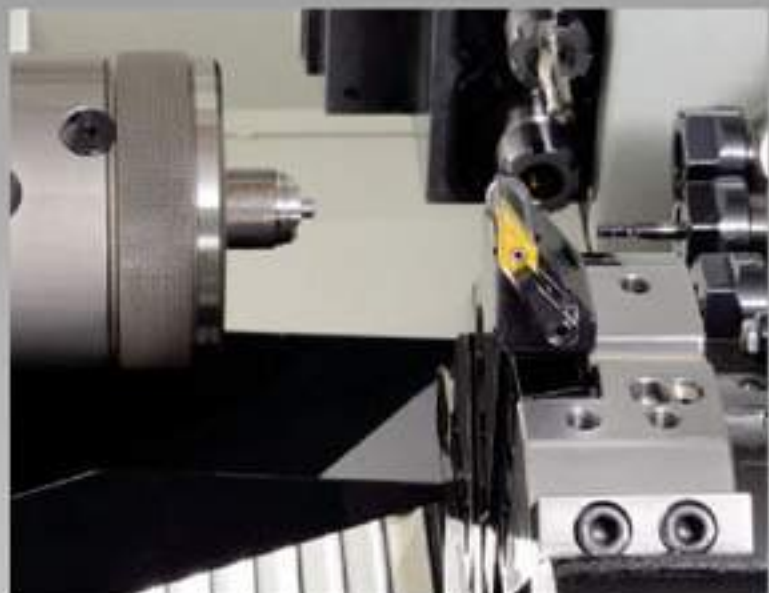
Finished Parts Conveyor (optional)

- Upon request, a parts conveyor is available for the machine, sending finished parts out of the machine.
- The parts conveyor is programmable by the CNC control.



High/Low Pressure Coolant Pump

Ming Yang's MY-TURN T25/T36 CNC lathe employs a high/low pressure coolant pump. The high pressure pump delivers powerful coolant to the turret, while the low pressure pump delivers coolant to the spindle.



Parts Catcher (optional)

The parts catcher provides convenient and efficient parts collection.



Chip Conveyor (optional)

Choice of screw type or chain type conveyor.



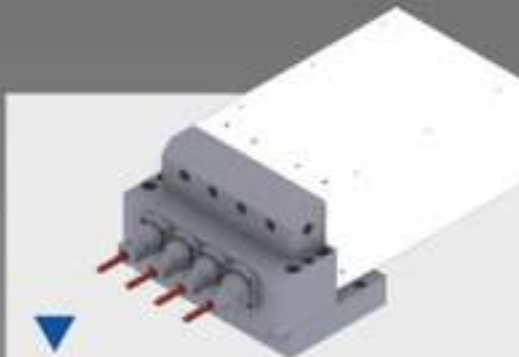
Coolant / Oil Separation Tank

The coolant tank is designed with oil separation for convenient cleaning. Also, it prevents coolant deterioration and odor.

MY-TURN T25/T36

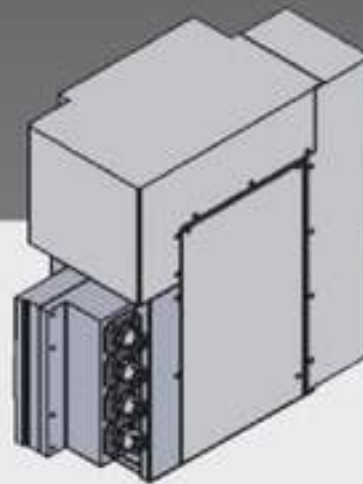


- DIN 161E 5" 3-Jaw Chuck
- Fuji 5" 3-jaw Hydraulic Chuck (optional)



End Milling Device

The end milling device includes 4 powered tools, used together with the Cs function of spindle to perform end milling, drilling and tapping operations. This saves secondary machining processes.



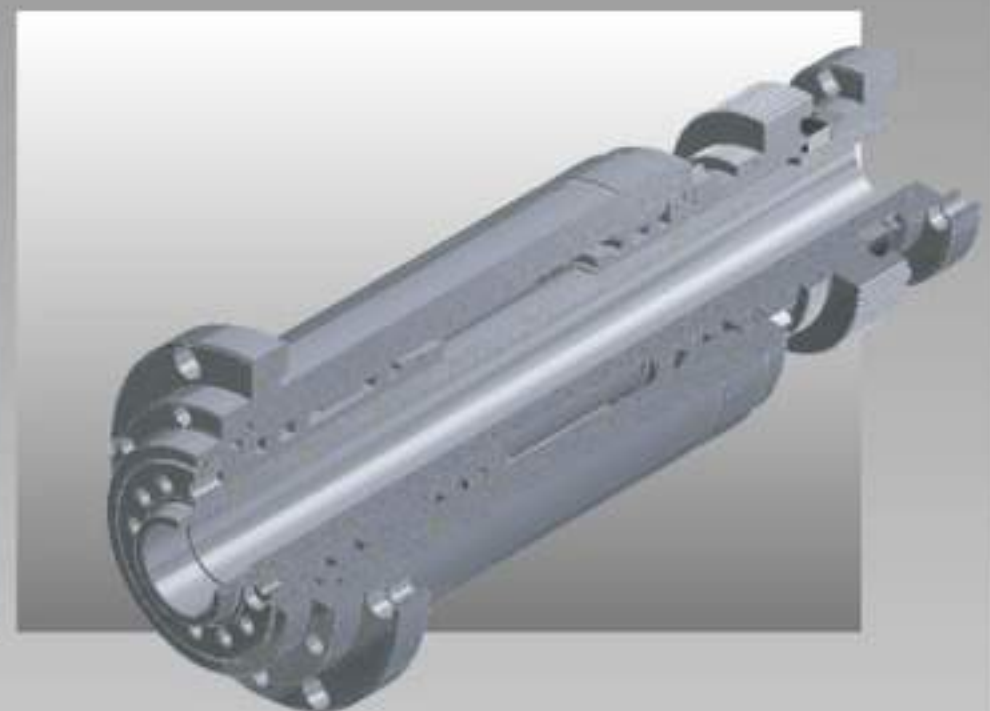
Y Axis Live Tooling Device

Combining with milling and C axis function, the Y axis is capable of performing end milling, drilling and tapping



Collet Chuck

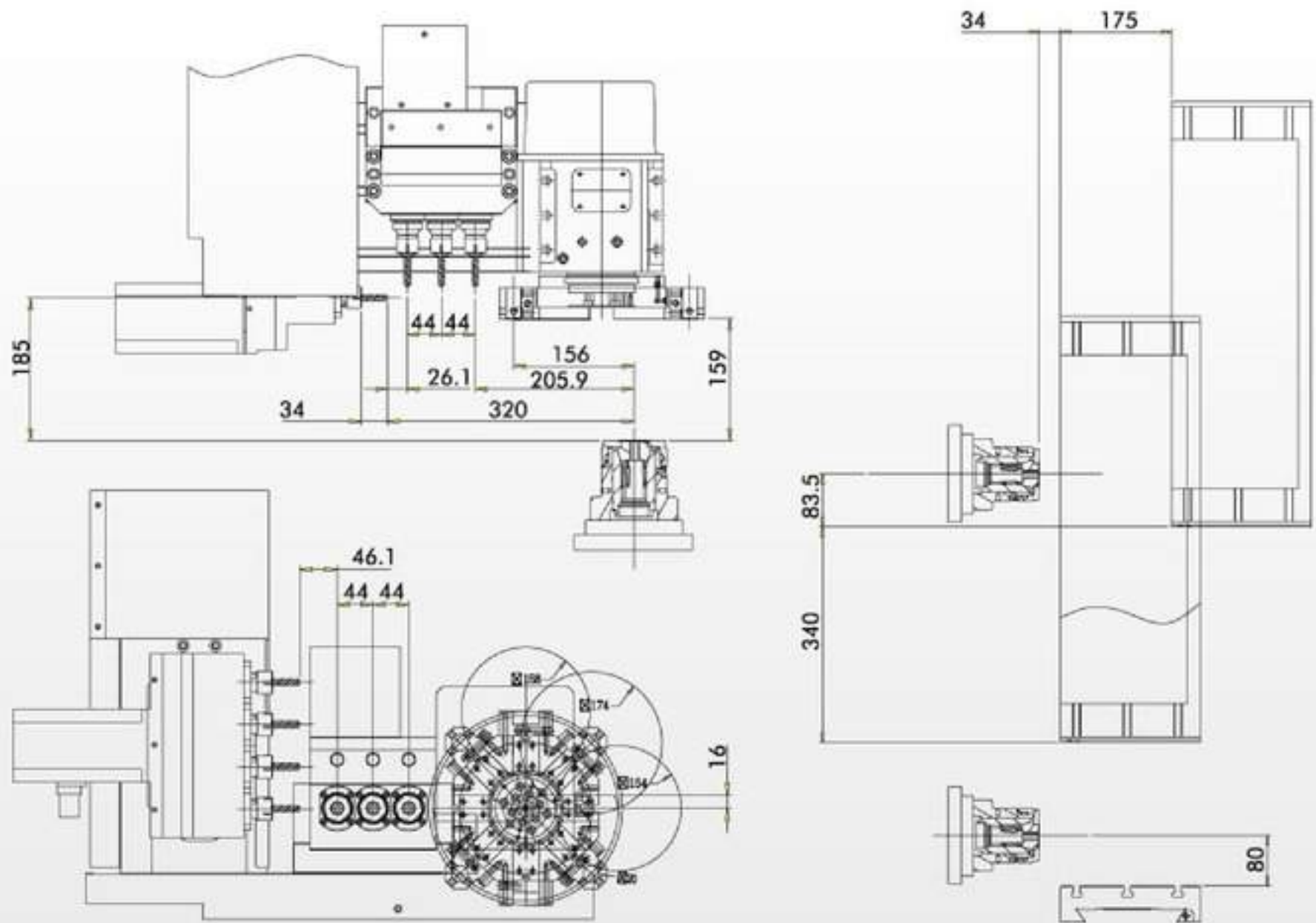
- The spindle is mounted with a collet chuck, allowing fast chucking for bar works.
- Applicable collet type is DIN161E.



High Precision Spindle

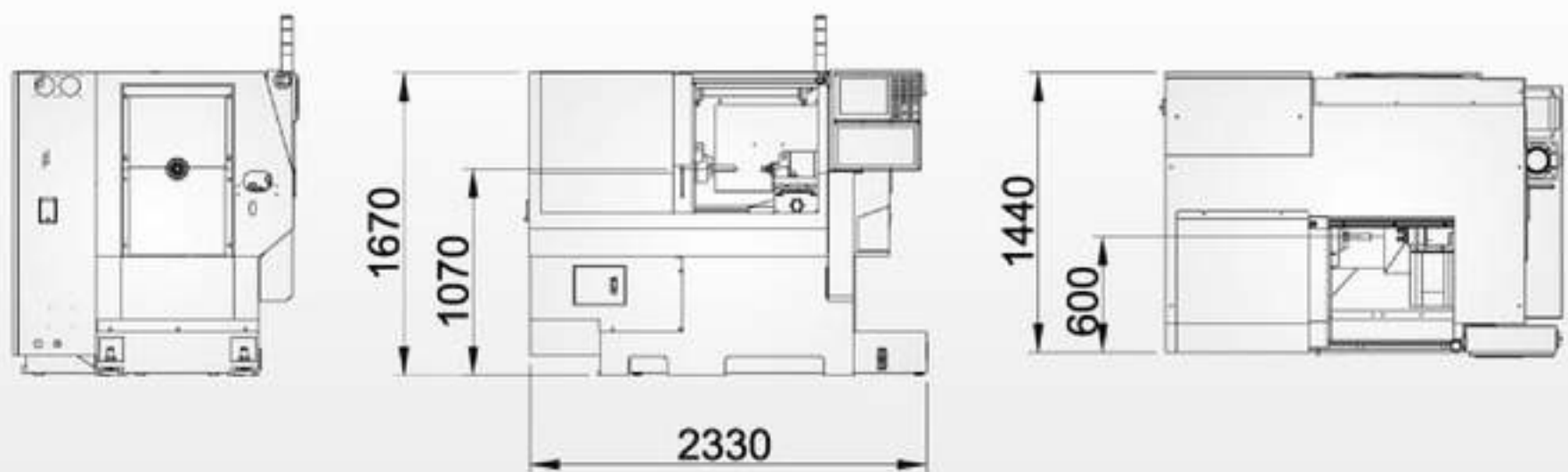
- The spindle runs on double row roller bearings combined with angular contact ball bearings to resist radial and axial loads.
- The spindle accommodates collet chuck and 3-jaw hydraulic chucks.
- Spindle speeds up to 6000 rpm that cut production time and fine work piece finishes.

X, Z-axis Travel Range



Machine Dimensions

Unit: mm



	Item	Unit	MY-TURN T25	MY-TURN T36
Capacity	Max. Bar Feeding Diameter	mm	25	36
	Max. Turning Diameter	mm	100	100
	Max. Turning Length	mm	100	100
Travel	X-Axis	mm	340	340
	Z-Axis	mm	150	150
	Y-Axis	mm	160	160
Spindle	Chuck Type		Collet	Collet
	Spindle Nose		A2 - 4	A2 - 5
	Speed	rpm	60-6,000	60-6,000
	Spindle Bore	mm	38	48
	Distance From the Ground	mm	1,070	1,070
Turret	Turret Type		Octagonal Turret	Octagonal Turret
	No. of Tool	Set	8	8
	Boring Bar Diameter	mm	20	20
	O.D. Shank Size	mm	16 x 16	16 x 16
Live Tool Y-axis	Chuck Type		ER20	ER20
	Speed	rpm	100-4000	100-4000
	Max. Drilling Diameter	mm	8	8
	Max. Tapping Size	mm	M6	M6
	Max. Holding Size	mm	13	13
	No. of Live Tools	Set	4	4
Live Tool Z-axis	Chuck Type		ER20	ER20
	Speed	rpm	100-4000	100-4000
	Max. Drilling Diameter	mm	8	8
	Max. Tapping Size	mm	M6	M6
	Max. Holding Size	mm	13	13
	No. of Live Tools	Set	3 / 4 / 6	3 / 4 / 6
Tool Rest	X / Z / Y Axis Rapid Traverse	m/min.	18 / 18 / 18	18 / 18 / 18
	Feedrate	mm/min.	0 - 5000	0 - 5000
	X / Z / Y Axis Lead screw Diameter / Pitch	mm	25 / 8	25 / 8
Motor Power	Spindle Motor	kw	2.2 / 3.75	3.75 / 5.5
	X / Z / Y Axis Motor	kw	1.0 / 1.5 / 1.0	1.0 / 1.5 / 1.0
	Turret Servo Motor	kw	0.4	0.4
	Live Tooling Motor	kw	0.75	0.75
	Coolant Pump	kw	0.9	0.9
	High Pressure Cutting Fluid Pump	kw	0.4	0.4
	Hydraulic Pump	kw	0.37	0.37
	Parts Conveyor	kw	0.03	0.03
	Chip Conveyor	kw	0.2	0.2
	Lubrication Pump	kw	0.003	0.003
	Oil Mist Collector	kw	0.75	0.75
Tank Capacity	Cutting Fluid	Liter	145	145
	Hydraulic Oil	Liter	55	55
	Lubrication	Liter	2	2
Dimensions	Height x Width x Depth	mm	1670 x 2330 x 1440	1670 x 2330 x 1440
	Weight	kg	1800	1800
	Floor Area (Standard Equipment)	mm	1800 x 2300	1800 x 2300

STANDARD

- Collet Chuck
- 6" 3-Jaw Chuck
- 3 Color Indicator Lamp
- Work Lamp
- Auto Bar Feeder Interface
- Gang Type Turret
- Coolant System
- Auto Lubrication System
- Fully Enclosed Guard
- Hydraulic System
- Auto Power Off
- SYNTEC Controller

OPTIONAL

- Screw Type Chip Conveyor
- Chain Type Chip Conveyor
- Chip Trolley
- Oil Mist Collector
- Parts Catcher
- Tool Presetter
- Auto Bar Feeder
- Transformer
- Voltage Stabilizer
- CE Approval
- Servo Turret
- Live Tooling System
- High Pressure Water Jet
- Coolant Flow Detection Switch
- Parts Conveyor
- Spindle Cs Function
- Hydraulic Turret
- Mitsubishi Controller
- Fanuc Controller



MING YANG MACHINERY CO., LTD.

No. 40, Tung-san Lane, Shing-Feng Shan Chuang, Tang Shing Rd., Tantz District, Taichung City, Taiwan.
Tel: +886-4-25377564 Fax: +886-4-25377645
E-mail: sales@mym.com.tw <http://www.mym.com.tw>